



BEVERAGE-AIR

| | |
|-----------------|------|
| Project: _____ | AIA# |
| Item: _____ | |
| Location: _____ | SIS# |
| Approved: _____ | |

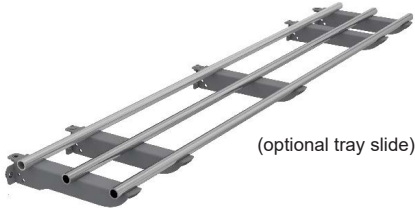
SPE36HC SALAD BAR

FOOD PREPARATION TABLES

SPE36HC Salad Bar

Hydrocarbon Series

MODEL:
SPE36HC-S



(optional tray slide)

5 Year Parts/Labor Warranty Available
7 Year Compressor Warranty

CABINET CONSTRUCTION

- Stainless steel front, sides, top, doors and grille (galvanized back & bottom)
- Interior liner is made of corrosion resistant aluminum
- Lift-off lid standard
- Heavy-duty aluminum pan liner, easy to clean and prevents spills from falling into cabinet while also ensuring coldest air flows across bottom of pans
- Six (6) 4" deep 1/3 size polycarbonate pans are included
- Accommodates up to 6" deep food service pans
- Locking divider bars
- Self-closing doors with 120° stay-open feature, on cartridge style hinges
- Easy door removal for service and cleaning
- Field-reversible doors with snap-in door gaskets
- 6" Casters, 2 with brakes
- Four (4) epoxy coated wire shelves

OPTIONS & ACCESSORIES

- 3 Year parts/labor standard, additional 2 year warranty available
- Stainless steel exterior with finished back
- Stainless steel interior
- Sneeze guard panel for dual side service
- Sneeze guard panel for single side service
- Foldable tray slides
- Door locks
- 3" Casters or 6" legs
- Low profile casters
- Shelf dividers
- Pan supports

REFRIGERATION SYSTEM

- Uses environmentally friendly, energy efficient R290 refrigerant, and meets all regulatory requirements for CARB, SNAP, DOE & more
- Adaptive defrost
- Epoxy coated evaporator coil
- Enhanced airflow maintains temperature between 36° to 38°F



Please verify qualifying units by visiting:
www.energystar.gov/cfs

3779 Champion Blvd., Winston-Salem, NC 27105
1-888-845-9800 Fax: 1-336-245-6453
Beverage-Air.com Sales@bevair.com



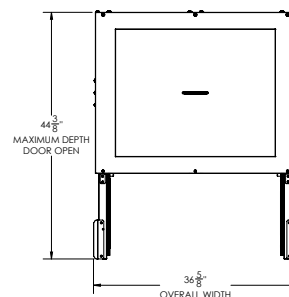
BEVERAGE-AIR

| MODEL | SPE36HC-S |
|----------------------------------|---|
| EXTERNAL DIMENSIONAL DATA | |
| Width Overall | 36 ⁵ / ₈ " |
| Depth Overall | 30 ¹ / ₈ " |
| Height Overall with Casters | 36 ¹³ / ₁₆ " |
| Number of Doors | 2 |
| Depth with Door Open Extended | 44 ³ / ₈ " |
| Door Openings (in) | 13 ⁹ / ₁₆ " x 21 ⁹ / ₁₆ " |
| Number of Shelves | 4 |
| INTERNAL DIMENSIONAL DATA | |
| NET Capacity (cubic ft.) | 10.01 |
| ELECTRICAL DATA | |
| Full Load Amperes | 2.0 |
| REFRIGERATION DATA | |
| Horsepower | 1/6 |
| Capacity (BTU/Hr) | 1094 |
| Heat Rejection (BTU/Hr) | 1641 |
| Charge (lbs/grams) | 0.243/110 |
| SHIPPING DATA | |
| Gross Weight - Crated | 276 lbs |
| Height - Crated | 47" |
| Width - Crated | 39" |
| Depth - Crated | 33" |

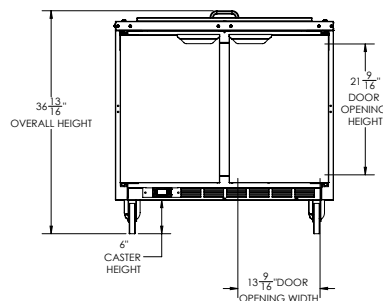
Salad Bar Model: SPE36HC-S

Model Views

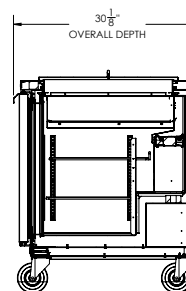
Required Clearance: 3" bottom & 2" rear



PLAN VIEW



ELEVATION VIEW



SIDE VIEW

ELECTRICAL CONNECTION



115/60/1
NEMA 5-15P

Unit pre-wired at factory
and include 8' long cord
and plug set.

